

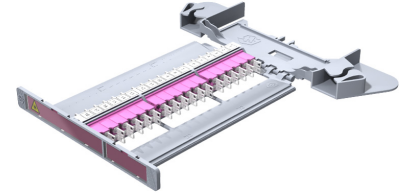
LISA Patch Cassette

Description

LISA patch cassette, 18x LC duplex adaptor heather violet, multi mode
 PT3-H-LCMD-18-O4-O

Features

- LISA patch cassette for cross-connect configuration
- Up to 18x LC Duplex connectivity per cassette
- Tool less installation and clear labelling for quick identification/ traceability
- Cassette access from the front and side facing adapter alignment for higher laser safety
- Patch cords horizontally supported and full 30 mm bend-radius limitation throughout



Technical data

Mechanical data

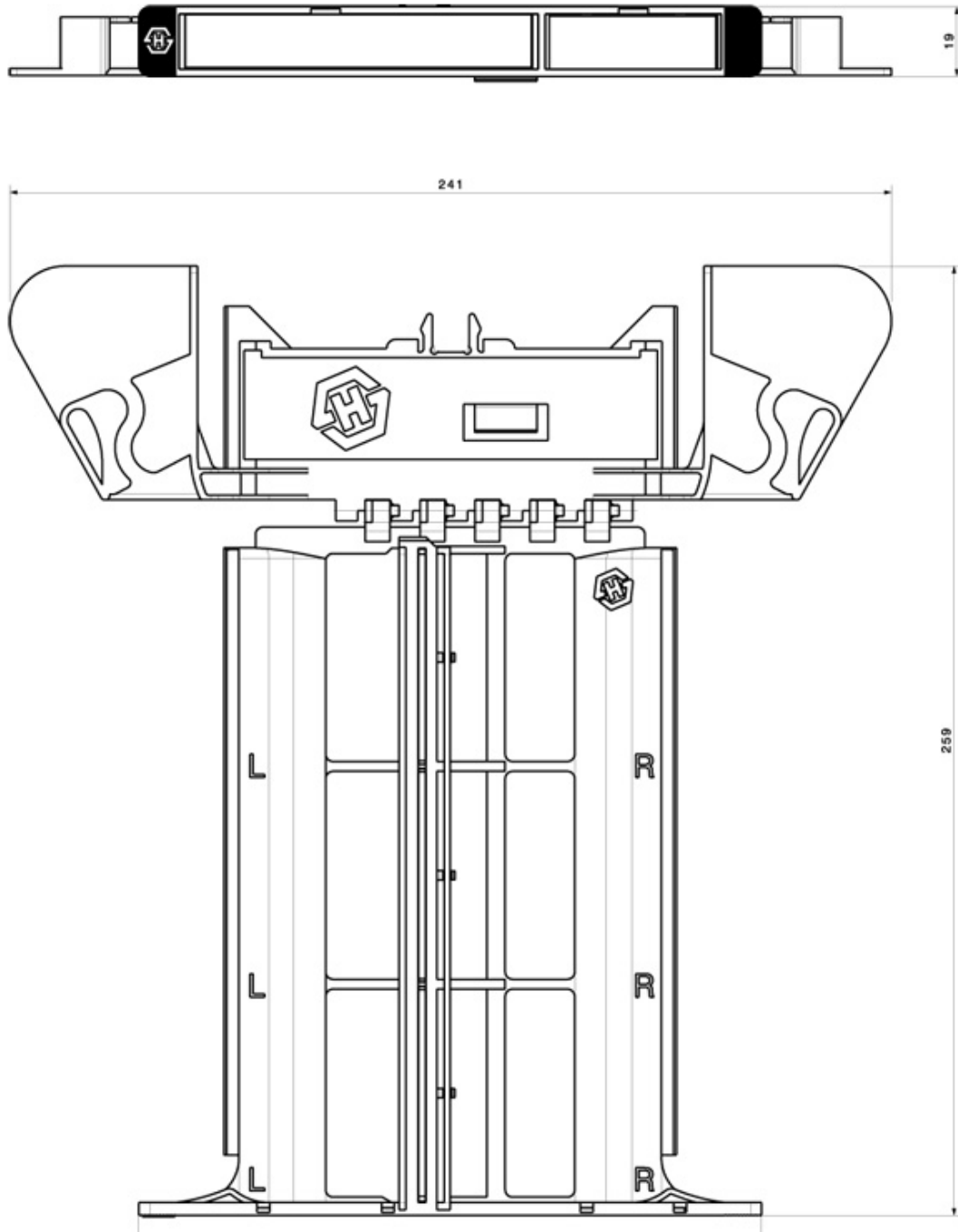
Characteristics	Values
Product family	LISA
Suitable for	Patching
Dimension (Width x Length x Height) (mm)	259 x 241 x 19
Dimension (Width x Length x Height) (inch)	10.2 x 9.5 x 0.7
Weight (g)	315
Weight (oz)	11.1
Number of Adaptor front (pcs)	18
Adaptor type front	LC
Adaptor colour front	heather violet

Environmental data

Characteristics	Values
Temperature resistance (min to max) (°C)	-40 to 70
Temperature resistance (min to max) (°F)	-40 to 158
UL Rating	UL 94 V-0
Chemical resistance	Yes
UV resistance	Yes
Resistance to impact	IK03
Free of halogen	Yes
RoHS compliant	Yes
REACH compliant	Yes

LISA Patch Cassette

Technical drawing



Ordering information

Description	Item number
LISA patch cassette, 18x LC duplex adaptor header violet, multi mode	85103008

Related Documents

Installation manual	DOC-0000783226
---------------------	----------------