

Data sheet

Keystone 19 inch module frame 1RU 24 port black unequipped, shielded

Page 1/5

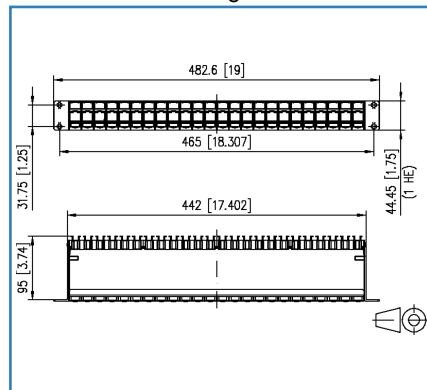
P/N
130920-BKKE
EAN 4250184153672

2018-20-02

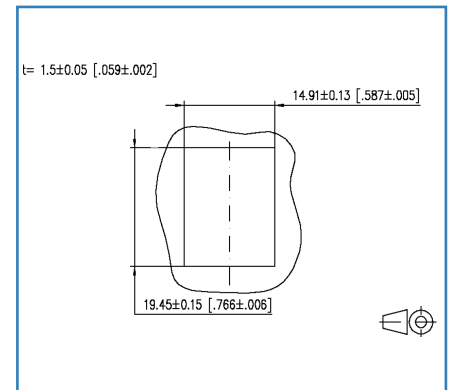
Illustrations



Dimensional drawing



Cut-out



See enlarged drawings at the end of document

Product specification

- 19 inch 1RU module frame for 24 individual modules; Keystone design
- module frame front made of black anodized aluminum
- plastic module support with dust protection covers (other colors available as accessories); detachable to the front
- integrated cable support with optional strain relief
- label window for identification labels
- label sheet 210 x 297 mm see accessories
- grounding bolt M6 x 10 with nut and lock washer
- incl. 30 cm grounding cable
- all fully shielded modules connected by means of grounding rail



Data sheet

Page 2/5

Keystone 19 inch module frame 1RU 24 port black unequipped, shielded

P/N
130920-BKKE
EAN 4250184153672

2018-20-02

Technical Data

General Data

Fields of application	Office
Design	patch panel
Shielding	shielded
Color	black
Dimensions	
Dimension (L x W x H)	95.00 x 482.60 x 44.50 mm
Dimension (L x W x H)	3.74 x 19.00 x 1.752 in.
Inches	19 inches
Height unit	1RU
Modularity	yes
Labeling option	label window with identification label + printed numbers

Connections/interfaces

Number of ports interface 1	24
Number of equipped ports interface 1	0
Number of ports interface 2	24
Number of ports interface 2 equipped	0
Grounding wire length	0.30 m
Grounding wire length	0.98 ft
Ground connection	grounding bolt M6x10 with nut and lock washer

Mechanical characteristics

Cut-out	Keystone
strain relief	yes

Materials and material properties

Material - Subrack	Al (Aluminium)
Material - Subrack finish	black anodized
Material - Module support	ABS
Material - Cable guide	ABS
Material - Dust protection	ABS
Material - Label window	ABS, transparent



Data sheet

Page 3/5

Keystone 19 inch module frame 1RU 24 port black unequipped, shielded

P/N
130920-BKKE
EAN 4250184153672

2018-20-02

Technical Data

Environmental conditions

Temperature (min. - max.)

Temperature - Storage °C -40 - 70 °C

Temperature - Storage °F -40 - 158 °F

Temperature - Operating °C -40 - 70 °C

Temperature - Operating °F -40 - 158 °F

Approvals

RoHS compliant

Classifications

ETIM 5.0 EC001128

ETIM 6.0 EC001128

Packing details

Type of packaging 1 pc(s) / box

Packaging unit - Weight (gram) 563.00 g

Packaging unit - Weight (pound) 1.24 lb

Packaging dimension (W x H x D) 520.00 x 180.00 x 46.00 mm

Packaging dimension (W x H x D) 20.472 x 7.087 x 1.811 in.



Data sheet

Page 4/5

Keystone 19 inch module frame 1RU 24 port black unequipped, shielded

P/N

130920-BKKE

EAN 4250184153672

2018-20-02

Accessories

P/N	Designation
130792	Mounting kit, cage nuts M6
899011-01	Label sheet for Modul patch panels / REG



Data sheet

Page 5/5

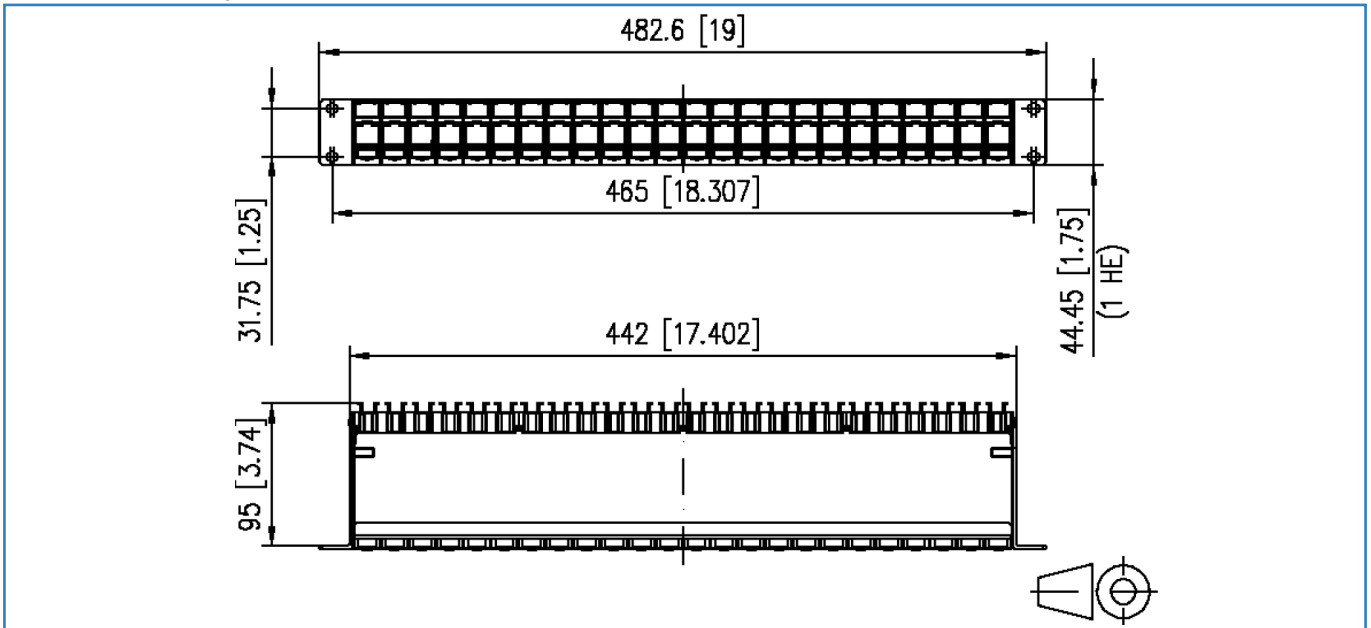
**Keystone 19 inch module frame 1RU
24 port black unequipped, shielded**

P/N
130920-BKKE
EAN 4250184153672

2018-20-02

Illustrations

Dimensional drawing



Cut-out

