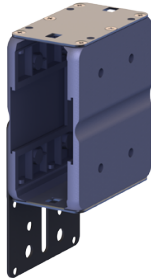


Product updated on August 15, 2018

Ultra High Density 0U Solution



The Ultra High Density 0U solution is designed to allow outside rack U space installation of UHD MPO/MTP, preterm or splice modules. The UHD 0U kit contains an assembled chassis accepting 1 x module, mounting plate and a set of installation screws. The mounting plate can be installed in a variety of positions. 0U chassis are designed to be easily stacked together creating multiple modules outside rack chassis structures.

FEATURES/BENEFITS

- Kit for Outside Rack Space UHD Modules Installation
- Single UHD 0U Kit accepts Single Module
- Multiple Kits can be Stacked to Create Multiple Module Outside Rack Space Chassis System
- Front and Rear Module Installation
- 2 Point Module Locking Position
- Compatible with UHD MPO/MTP, Preterm and Splice Modules

APPLICATIONS

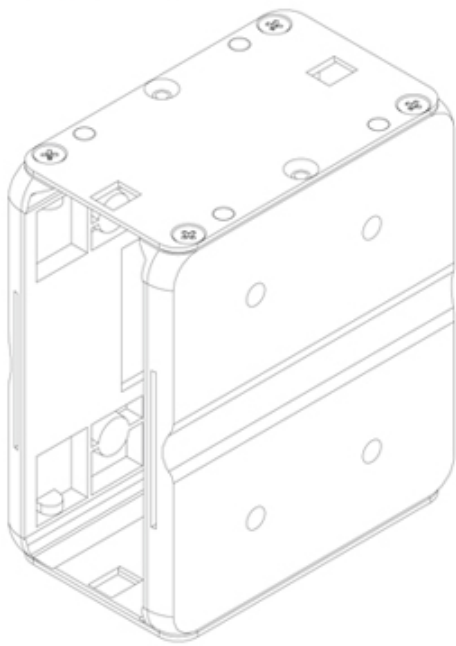
- Data centers, premise installations, telecommunication networks
- Data Communication
- Central Office
- FTTX

SPECIFICATIONS

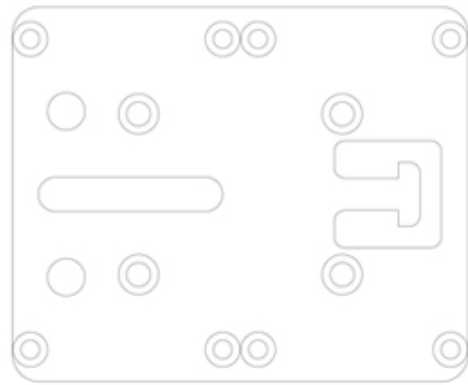
SPECIFICATION

0U Chassis Height	88mm
0U Chassis Width	43mm
0U Chassis Depth	76mm
Packaged weight	0.150kg
Packaged in bag Dimensions	180mm x 230mm
Material	ABS , CR4 Steel
Colour	ABS: RAL 7015, RAL7035
Operating temperature	-40°C to +50°C
Designed in accordance with	TIA/EIA 568.C, ISO/IEC 11801, EN 50173, IEC 60304, IEC 61754,
Materials compliant to	RoHS, Reach/SVHC

Kit Components



1 x Mounting Block



1 x 0U Mounting Plate

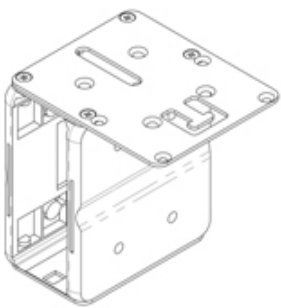


4 x 6mm M4 Countersunk Screw

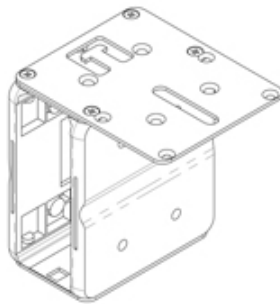


4 x 8mm M3 Countersunk Screw

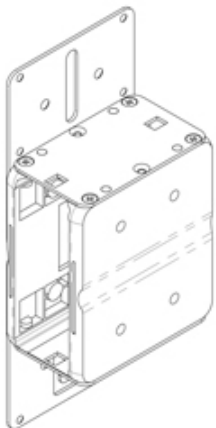
Example Configurations



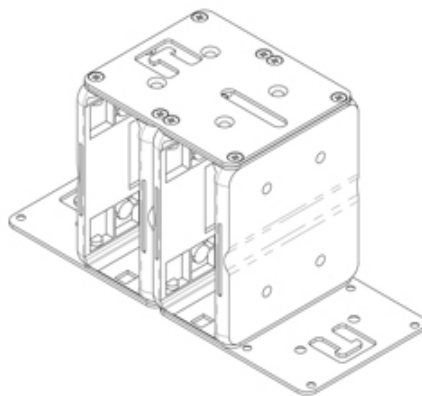
Single Block I



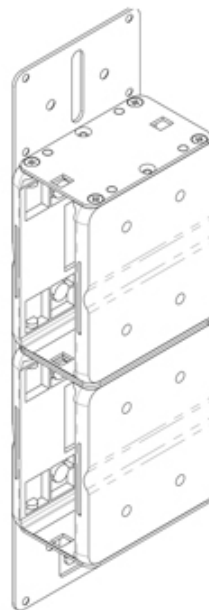
Single Block II



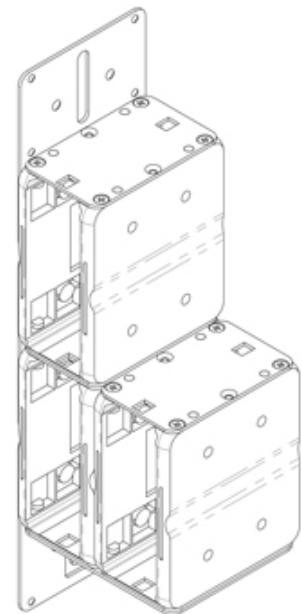
Single Block III*



Dual Block I*



Dual Block II*



Triple Block*

*Configuration would require multiple kits

ORDERING INFORMATION

DESCRIPTION	PART NUMBER
FL UHD 0U INSTALLATION KIT RAL7015	UHDOUKIT
FL UHD 0U INSTALLATION KIT RAL7035	UHDOUKITLG



SCAN QR FOR PRODUCT PAGE

FURTHER INFORMATION

- For additional information please contact your sales representative
- To view the product 360 visit the product page (Scan the QR code or visit the link below)
- Downloaded from <https://www.aflhyperscale.com/product/ultra-high-density-0u-solution>
- AFL Hyperscale reserves the right to make changes in this datasheet at any time without notice
- Information in this document is correct as of August 15, 2018

Europe

+44 (0) 1908 441 144
emeasales@aflhyperscale.com
© AFL Hyperscale 2018

Americas

+1 800 790 9932
usasales@aflhyperscale.com

Middle East & Africa

+971 4 404 9606
mesales@aflhyperscale.com

India

+91 80 46874687
indiasales@aflhyperscale.com

Asia Pacific

+86 755 2561 3694
apacsales@aflhyperscale.com