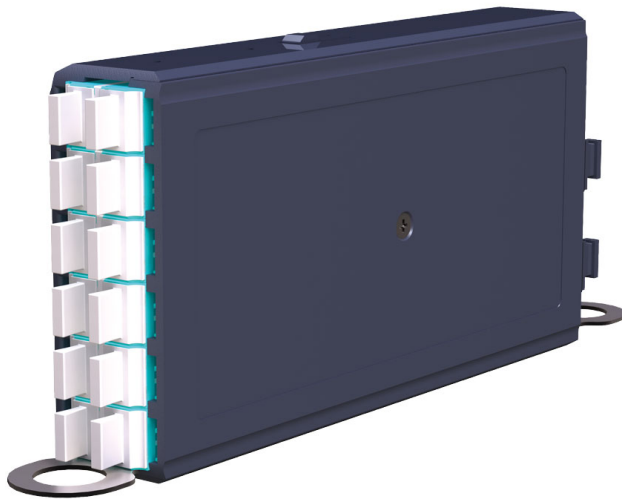


Product updated on October 22, 2018

Ultra High Density (UHD) MPO Module



UHD module with its unique footprint provides scalability for high density fiber optics infrastructure with up to 288 fibers inside a 2U space. Patented LC Quad shuttered adapter design allows for connector finger access without the need of using extra extraction tool. Dual lock position allow for fixing the module in the intermediate patch installation position as well as secure module inside the chassis. Single module can be accessed anytime using pull release element. Ultra High Density Modules provides an interface between MPO Trunks and LC interface of active equipment. Pre-assembled MPO modules improve the speed of installation. Modules with external MPO ports can be easily connected to trunks or fanouts. Single MPO port connection provides instant mating for 12 fibers at one time. Modules are compact improving space management in a high fiber density environment. Modular systems can be easily disconnected and reconfigured for fast add ons or system change reconfiguration.

FEATURES/BENEFITS

- UHD fiber module for 12(LC, SC) or 24(LC) connections
- Compatible with 2U chassis system holding 12 UHD modules
- Compatible with 1U chassis system holding 5 UHD modules
- Compatible with 0U chassis system holding 1 UHD module
- Premium Low Loss LC, SC Interface
- Low Loss Premium MPO Termination
- 12xFiber Ferrule MPO Connector
- SM and MM (OM3/OM4) Version
- Polarity A, B or C
- Universal Polarity B Variant

APPLICATIONS

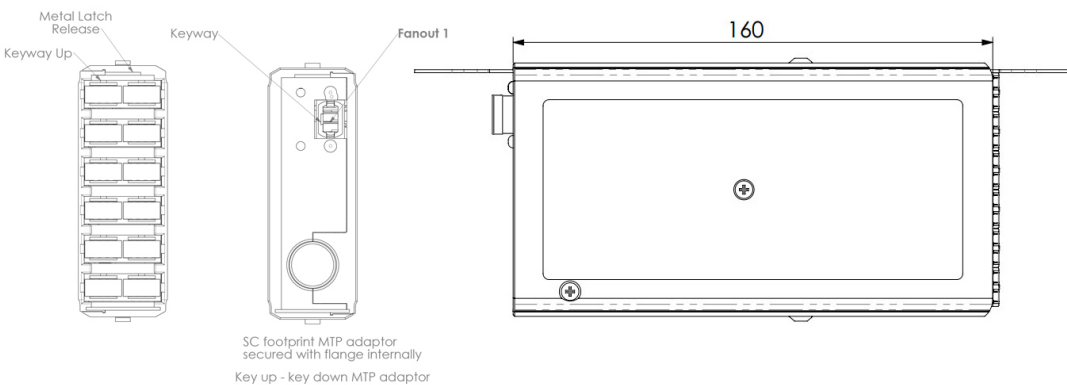
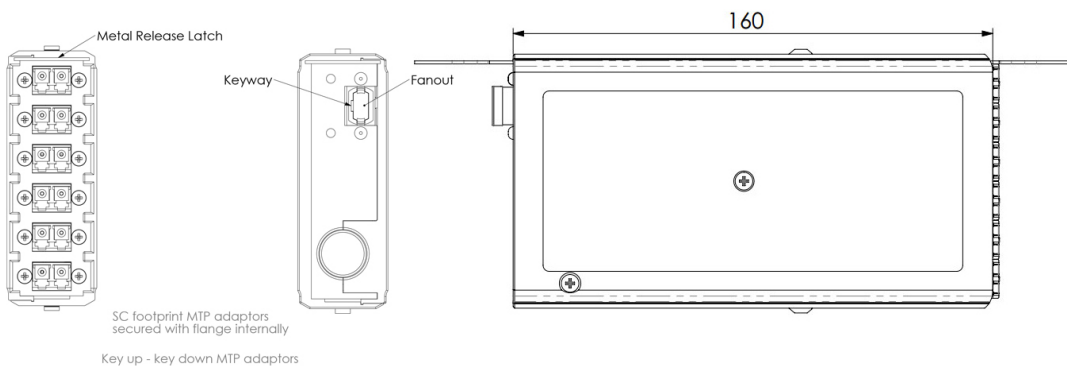
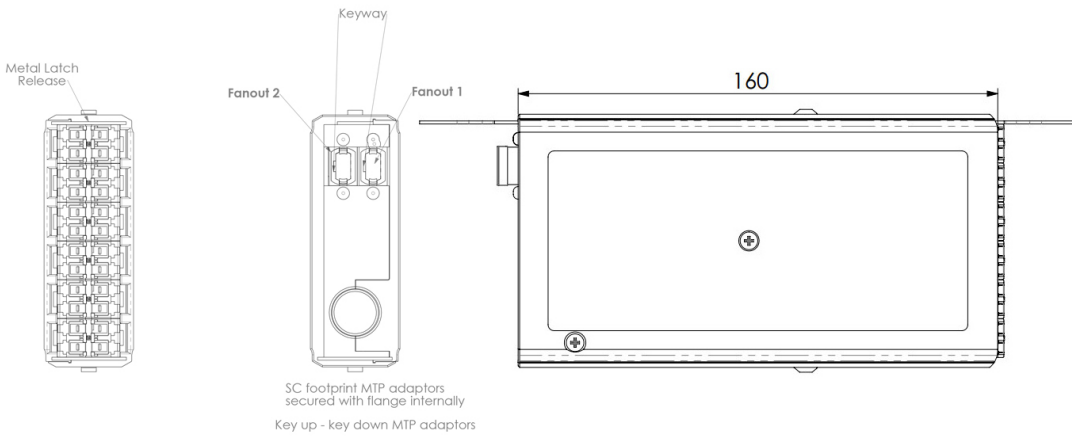
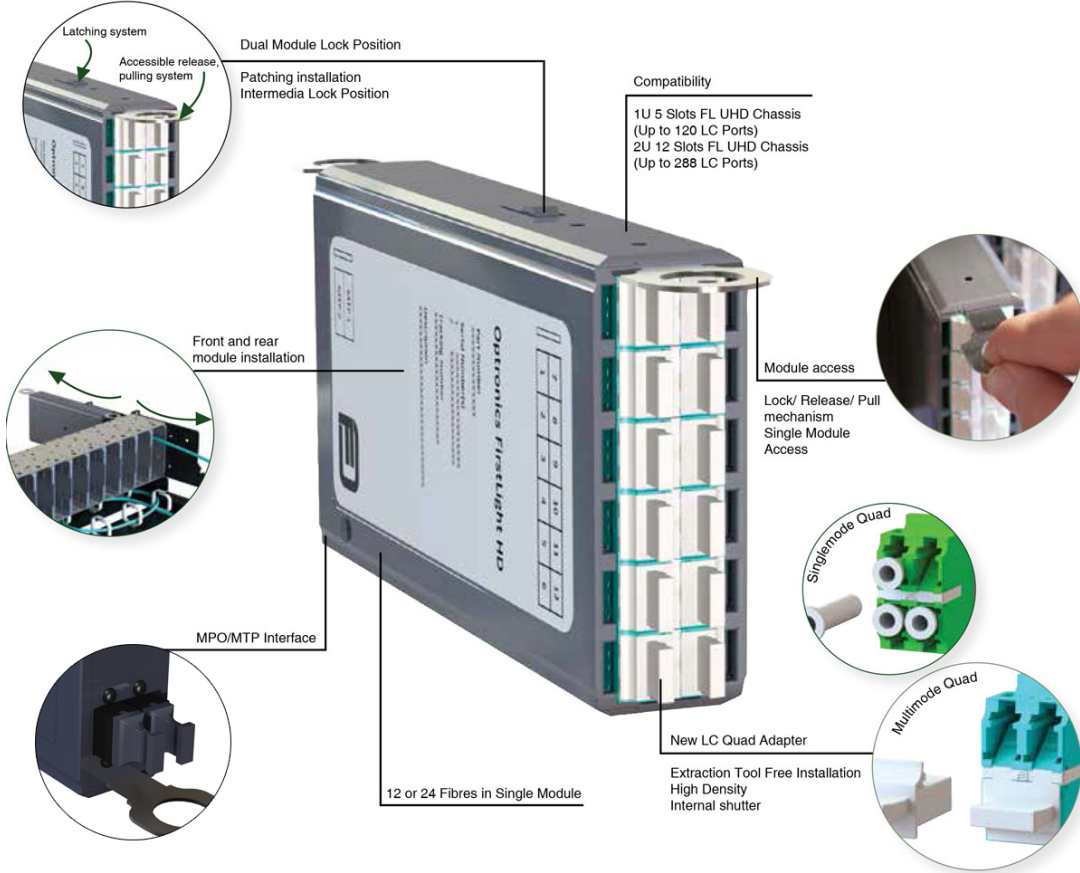
- Data Centre Infrastructure
- Storage Area Network
- Fiber Channel

SPECIFICATIONS

ELEMENT	CHARACTERISTIC
Fiber Category	SM 9/125 G.657A1, MM 50/125 OM4
Fiber Counts	12(LC, SC), 24(LC)
Polarity Mapping	Polarity A, B, C
Adaptors	ADAPTOR REAR: 1xMPO (12xFiber Module), 2xMPO (24xFiber Module);Body Colour: Black (Polarity A/C) Keyway up- Keyway down,Grey (Polarity B) Keyway up- Keyway up;ADAPTOR FRONT: 6xLC(QUAD) 24xFiber Module, 6xLC(DX) 12xFiber Module, 6xSC(DX) 12xFiber Module;Body Colour: AQUA (MM- OM3/OM4), ERICA VIOLET (MM- OM4), BLUE(SM/UPC), GREEN (SM/APC)
Internal Assembly Connectors	MPO MM: Low Loss Premium (12xFiber Ferrule), MPO SM: Low Loss Premium (12xFiber Ferrule), LC, SC MM/SM Low Loss Premium
Module Material	ABS
Module Colour	Grey RAL7015 (Standard), Grey RAL7035 (Optional)
Operating Temperature	-20 ~ +60°C
Storage Temperature	-20 ~ +60°C
Module Dimension (W x D x H)	30 x 160 x 84.50 mm
Package Dimensions (W x D x H)	45 x 280 x 140 mm
Module Weight	0.21 kg
Module Weight (Packaged)	0.30 kg

Termination Performance

CONNECTOR MATING	INSERTION LOSS* AVERAGE	INSERTION LOSS* MAX	RETURN LOSS**
MPO Premium Low Loss (MM)	0.10 dB	0.35 dB	NA
LC, SC Premium Low Loss (MM)	0.08 dB	0.15 dB	NA
MPO Premium Low Loss (SM)	0.10 dB	0.35 dB	>60 dB
LC, SC Premium Low Loss (SM)	0.12 dB	0.15 dB	≥55/65 dB



ADDITIONAL INFORMATION

- TIA/EIA-568-C.3 and ISO/IEC 11801
- IEC 61754-7 & EIA/TIA-604-5
- IEC 60793

ORDERING INFORMATION

UHD	MPO CONNECTOR	FIBRE COUNT	DISCRETE CONNECTOR		FIBRE TYPE	POLARITY	
UHD	MPM MPO Premium Male (12 fiber Ferrule)	12 12 core	LC	LC	SM OS1/2 G.657A1	Leave blank	A/C
		24 24 core	LCA	LC/APC	MM 50/125 OM3/OM4	B1	Polarity B (Type 1)
			SC	SC*		B2	Polarity B (Type 2)
			SCA	SC/APC*		B	Polarity B (Universal)

*Available in 12 fiber modules only

MTP US Conec MPO Connectors Available on Request- Add suffix "-US" to the end of PN

Example Part Number

DESCRIPTION	PART NUMBER
UHD MPO Prem (M)- LC 12F SM 9/125 G.657A1 Pol A/C	UHDMPM12LCSM



SCAN QR FOR PRODUCT PAGE

FURTHER INFORMATION

- For additional information please contact your sales representative
- To view the product 360 visit the product page (Scan the QR code or visit the link below)
- Downloaded from <https://www.aflhyperscale.com/product/uhd-mpo-module>
- AFL Hyperscale reserves the right to make changes in this datasheet at any time without notice
- Information in this document is correct as of October 22, 2018

Europe

+44 (0) 1908 441 144
emeasales@aflhyperscale.com
© AFL Hyperscale 2018

Americas

+1 800 790 9932
usasales@aflhyperscale.com

Middle East & Africa

+971 4 404 9606
mesales@aflhyperscale.com

India

+91 80 46874687
indiasales@aflhyperscale.com

Asia Pacific

+86 755 2561 3694
apacsales@aflhyperscale.com