

CDR - Cable distribution rack

Description

CDR09, patch cord management, 47U x 300 x 300mm, perforated door, black
 CDR09-47U-BK-PDLR-STA



Features

- Only 300 mm deep and completely front-accessible
- Lightweight 2-post design for improved access to cables
- Available as 900 mm or 1200 mm wide variants
- Up to 1620 duplex LC ports per 47U 900 mm cabinet
- Up to 1080 MPO ports per 47U 1200 mm cabinet
- Integrated cable over-length management
- Perforated doors to match nearby equipment cabinets
- Quick release doors without tools
- Mount against an unused wall or at the end of row or
- Back-to-back mount on a single floor tile of 600 mm
- Large apertures for all cable types, sizes and quantities
- Fast installation of sub-racks from the front side
- Easy mounting of sub-racks with unit position number strips
- Side by side mounting with clear cable routing

Technical data

Mechanical data

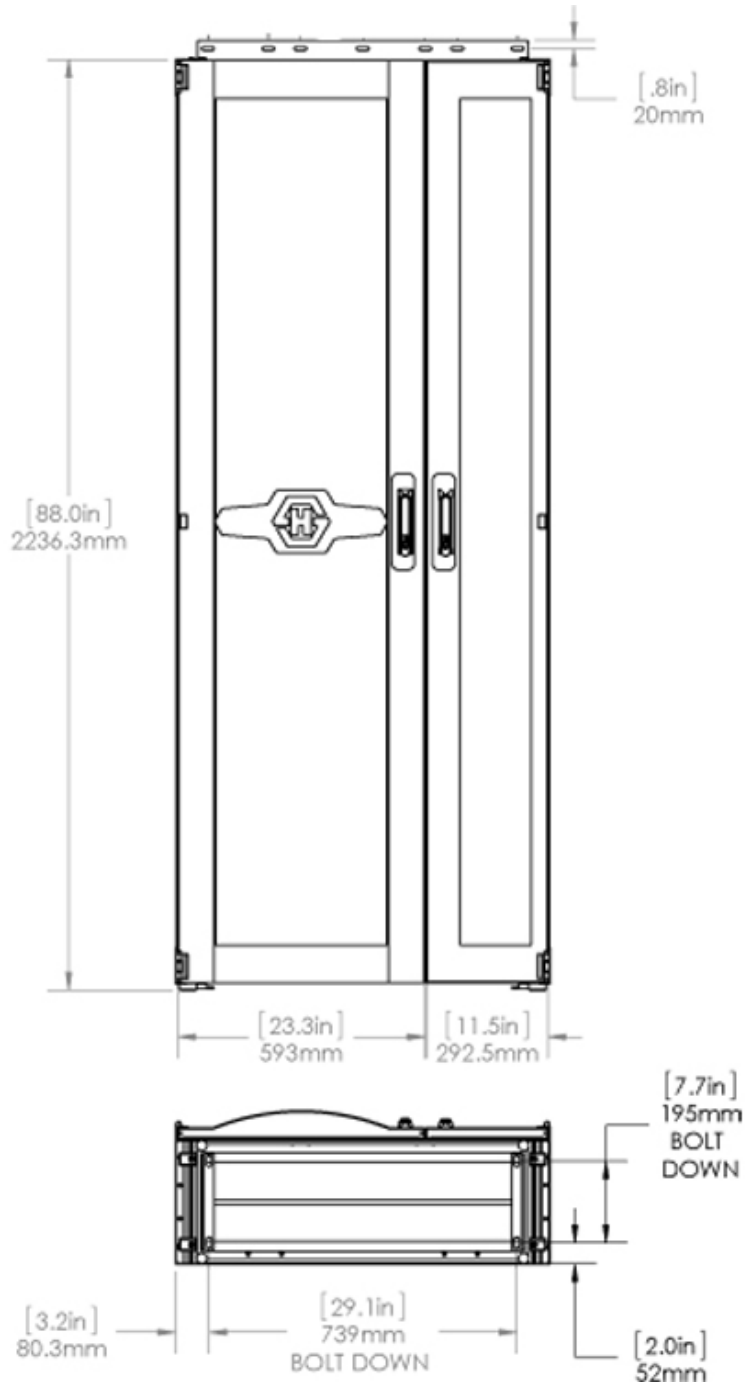
| Characteristics | Values |
|--|----------------------|
| Dimension (Width x Length x Height) (mm) | 900 x 300 x 2200 |
| Dimension (Width x Length x Height) (inch) | 35.4 x 11.8 x 86.6 |
| Rack height (U) | 47 |
| Weight (kg) | 123.4 |
| Weight (lbs) | 272.1 |
| Material Frame | aluminium |
| Material Cover | metal sheet |
| Colour Frame | silver |
| Colour Cover | jet black (RAL 9005) |

Environmental data

| Characteristics | Values |
|--|----------------|
| Temperature resistance (min to max) (°C) | -46 to 81 |
| Temperature resistance (min to max) (°F) | -50.8 to 177.8 |
| Flammability rating | UL 94 V-0 |
| Chemical resistance | Yes |
| UV resistance | Yes |
| Free of halogen | Yes |
| RoHS compliant | Yes |
| REACH compliant | Yes |

CDR - Cable distribution rack

Technical drawing



Ordering information

| Description | Item number |
|---|-------------|
| CDR09, patch cord management, 47U x 300 x 300mm, perforated door, black | 85029082 |

Related Documents

| | |
|---------------------|----------------|
| Installation manual | DOC-0000719356 |
|---------------------|----------------|