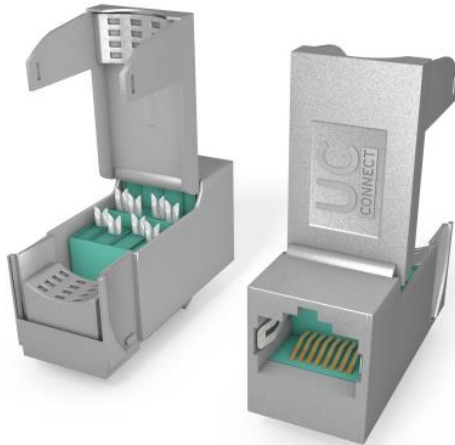


UC^{CONNECT} Cat6A FTP Keystone Jack 90° Tool-less in Silver



Cat6A Shielded Tool-Less 90° Keystone Jack

- Easy install facilitated by tool free wire termination
- Compatible with 26 awg flexible and solid cores
- Fully compatible with our full range of faceplates, adapters and boxes
- PoE+ IEEE 802.3 at suitable for power over Ethernet +
- 10Gigabit Component level compliance to ISO/IEC 11801:2002 (including Amendment 2 – 2nd Edition), Amendment 2 to CENELEC EN 50173-1 (2010) and IEC 60603-7-51, ANSI TIA 568-C.2
- Easy install facilitated by tool free wire termination
- Fully compatible with our full range of faceplates, adapters and boxes
- Fits into 32 mm back-box/floor-box/grid box with angled adapter

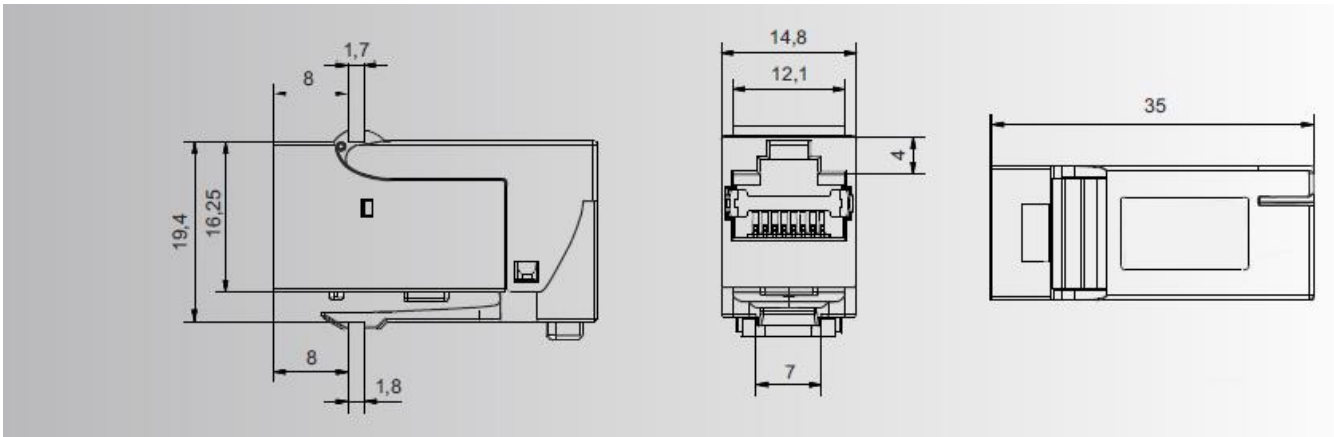


Specification

Item	Description
Material Housing	Zinc Die Casting PA
Insulation Material	PC White
Contact Area	30 μ Gold Plated
Wire size compatibility	5-10 mm
Connection class	IP20
Dimensions	19.3 x 14.7 mm 19.3 x 14.7 mm
Performance	
Contact resistance	≤20 mΩ
Insulation resistance	≥500 MΩ
Operating temperature	-40 ° C - + 70 ° C
Durability	750 Mating Cycles

UC^{CONNECT} Cat6A FTP Keystone Jack 90° Tool-less in Silver

Construction



Technical data

Material Code	Material Description	Description Code	Weight	Items per Packaging Unit
YMJB00297	Cat6A (Stranded) FTP Keystone Jack 90° Tool-less in Silver	UC C500 MJ TF S V4	20g	1 or 24
Related Products				
Material Code	Material Description	Description Code	Weight	Items per Packaging Unit
YPPBP00298	1U 24port FTP Cat6A Keystone Panel, Rear Management in Black	UC C500 PP S BK 24 V1	720g	1 or 15
YPPBP00299	1U 24port FTP Cat6A Angled Keystone Panel, Rear Management in Black	UC C500 PP VP S BK 24	720g	1 or 15
YPPBP00300	1U 24port FTP Cat6A ½U Keystone Panel, Rear Management in Stainless Steel	UC C500 PP HP S BK 24	720g	1 or 15
YAABP00127	Angled Single Port Adaptor 25 X 50	UC CACC AA 01 EU	8g	1 or 50
YAABP01691	LJ6C Angled Single Adaptor 38 x 25	UC CACC AA 01 6C V1	8g	1 or 50
YMABP00123	Flat Single Adaptor 25 x 50	UC CACC MA 01 EU	8g	1 or 50
YPMAP01842	LJ6C Flat Single Adaptor 38 X 25	UC CACC MA 01 6C V1	8g	1 or 50

© PRYSMIAN GROUP 2013, All Rights Reserved

All sizes and values without tolerances are reference values. Specifications are for product as supplied by Prysmian Group: any modification or alteration afterwards of product may give different result.

The information contained within this document must not be copied, reprinted or reproduced in any form, either wholly or in part, without the written consent of Prysmian Group. The information is believed to be correct at the time of issue. Prysmian Group reserves the right to amend this specification without prior notice. This specification is not contractually valid unless specifically authorised by Prysmian Group.