

UC^{CONNECT} Category 5e Unshielded (50x25) Punch Down Module



Cat5e Unshielded (50x25) Punch Down Module

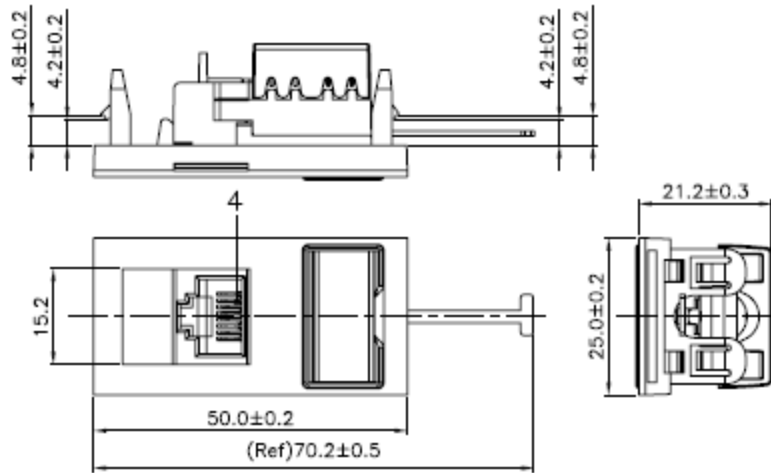
- Cat5e compliant performance
- Fully compatible with our full range of faceplates
- Fits into 25 mm back-box
- Fits into standard floor box plates

Specification

| Item | Description |
|--|---|
| RJ45 Plastic housing | ABS + PC |
| RJ45 jack contact material and finish | Phosphor Bronze Contact area : Min 3 mm 50 micro-inch Gold plated over Nickel colour |
| IDC terminal and finish | Phosphor Bronze with min, 50 micro-inch Tin plated |
| Wire size compatibility | 22-26 AWG solid wire |
| Housing | ABS |
| Dimensions | 50mm x 25mm x 21mm |
| Performance | |
| IDC cap colour code supports both wiring schemes TIA 568A & 568B | |
| Insertion force | 20N Max |
| Retention strength | 7.7kg between jack and plug |
| Operating temperature | -10°C to 60°C |
| Durability | Jack 750 cycles |

UC^{CONNECT} Category 5e Unshielded (50x25) Punch Down Module

Construction



Technical data

| Material Code | Material Description | Description Code | Weight | Items per Packaging Unit |
|-------------------------|---|--------------------|--------|--------------------------|
| YMSBP00093 | Cat5e UTP 50x25 Module 180° Punch Down in White | UC C300 MS TR U WH | 22g | 1 or 50 |
| Related Products | | | | |
| Material Code | Material Description | Description Code | Weight | Items per Packaging Unit |
| YFPBP00128 | European Flush Plate 86X86 (50x50) | UC CACC FP 2 EU | 23g | 1 or 50 |
| YFPBP00129 | European Flush Plate 146X86 (100x50) | UC CACC FP 4 EU | 33g | 1 or 50 |
| YFPBP00294 | European Bevelled Plate 86X86 (50x50) | UC CACC BF 1 EU | 23g | 1 or 50 |
| YFPBP00295 | European Bevelled Plate 146X86 (100x50) | UC CACC BF 2 EU | 33g | 1 or 50 |

© PRYSMIAN GROUP 2013, All Rights Reserved

All sizes and values without tolerances are reference values. Specifications are for product as supplied by Prysmian Group: any modification or alteration afterwards of product may give different result.

The information contained within this document must not be copied, reprinted or reproduced in any form, either wholly or in part, without the written consent of Prysmian Group. The information is believed to be correct at the time of issue. Prysmian Group reserves the right to amend this specification without prior notice. This specification is not contractually valid unless specifically authorised by Prysmian Group.