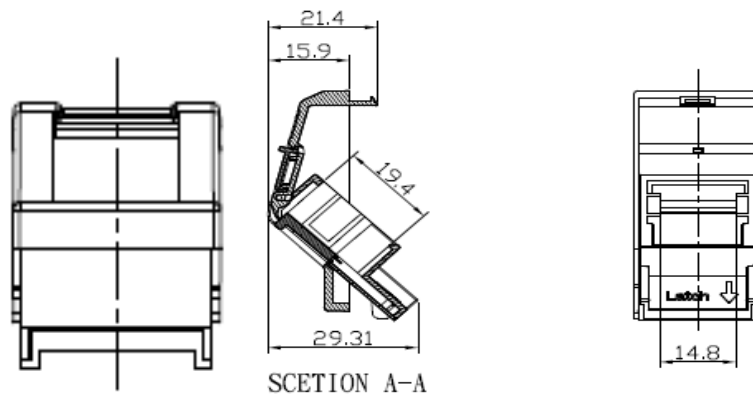


Draka UCConnect ACC

Angled Single Adaptor 25 x 50



Technical data

Material Code	Material Description	Description Code	Weight	Items per Packaging Unit
YAABP00127	Angled Single Port Adaptor 25 X 50	UC CACC AA 01 EU	8g	1 or 50
Related Products				
Material Code	Material Description	Description Code	Weight	Items per Packaging Unit
YFPBP00128	European Flush Plate 86X86 (50x50)	UC CACC FP 2 EU	23g	1 or 50
YFPBP00129	European Flush Plate 146X86 (100x50)	UC CACC FP 4 EU	33g	1 or 50
YFPBP00294	European Bevelled Plate 86X86 (50x50)	UC CACC BF 2 EU	23g	1 or 50
YFPBP00295	European Bevelled Plate 146X86 (100x50)	UC CACC BF 4 EU	33g	1 or 50
YMJBP00296	Cat6A (Solid) FTP Keystone Jack 90° Toolless in Silver	UC C500 MJ TF S V3	27g	1 or 24
YMJBP00096	Cat.6 FTP Keystone Jack 180° Toolless in Silver	UC C400 MJ TF S	11.7g	1 or 50
YMJBP00097	Cat6 UTP Keystone Jack 180° Toolless Black	UC C400 MJ TF U BK	8g	1 or 50
YKJBP00091	Cat5e UTP Keystone Jack 180° Toolless Black	UC C300 MJ TF U BK	8g	1 or 50

© PRYSMIAN GROUP 2013, All Rights Reserved

All sizes and values without tolerances are reference values. Specifications are for product as supplied by Prysmian Group: any modification or alteration afterwards of product may give different result.

The information contained within this document must not be copied, reprinted or reproduced in any form, either wholly or in part, without the written consent of Prysmian Group. The information is believed to be correct at the time of issue. Prysmian Group reserves the right to amend this specification without prior notice. This specification is not contractually valid unless specifically authorised by Prysmian Group.