



# 8760 EQ. 1pair Foil Screened 18AWG LSF

## Key Features

- High Frequency Low Loss
- Individually Foiled Screen
- LSF Sheath

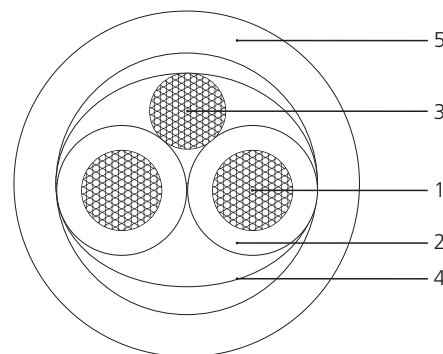


## Coaxial and Specialist Cable

Part No: See Below

### General Description:

8760 Belden Equivalent cable consists of a 18AWG single pair with 16 strands of 0.25mm tinned copper wire. Sheathed overall in LSF and with a rated voltage of 300v.



### Relevant Test Standards:

UL1581

### Part Numbers

TRI-002340	8760 Equivalent Single Pair Foil Screened 18AWG LSF - 100m
TRI-000128	8760 Equivalent Single Pair Foil Screened 18AWG LSF - 500m

### Cable Construction:

### Material Breakdown:

Conductor	Stranded Tinned Copper	
	Nom. O.D. (mm)	16*0.25 up +0.008   down -0.008
Insulation	Material: SPE	Diameter: 2.15+0.15mm *2
Jacket	External O.D.	5.60mm(+/-0.20mm)
	Surface	Clean / Smooth
	Outer Material	LSF (complies RoHS)
	Colour	Grey
Shield	AL-foil	Colour: Blue
Tubing Colours	Black, Transparent	
Drain	Material:	Stranded Tinned Copper
	Nom O.D. (mm):	0.20* 16 up/down (+0.008)

### Electrical Characteristics:

Conductor Resistance	20°C, Conductor DC Resistance	< 2.64 Ω/100M
Insulation DC Resistance	20°C, Insulation DC Resistance	>200Ω.M
Rated Voltage		300v
Rated Temperature (°C)		-20°C to +80°C